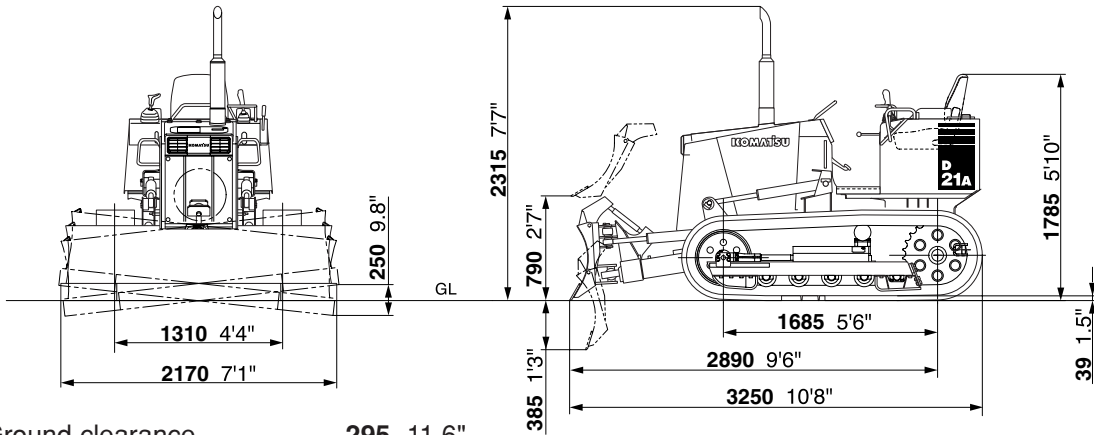




**DIMENSIONS**

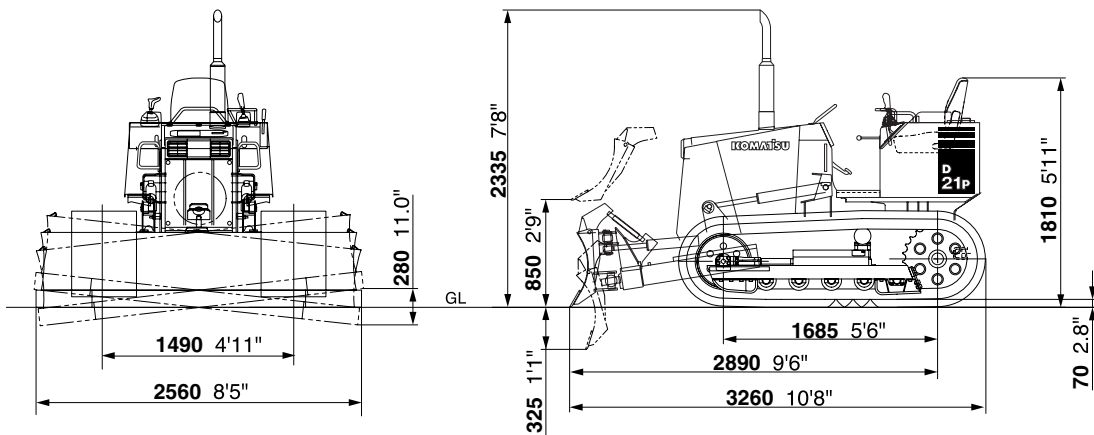
Unit: mm ft.in

**D21A-8E0 (equipped with power-angle-tilt dozer)**



Ground clearance . . . . . 250 9.8"

**D21P-8E0 (equipped with power-angle-tilt dozer)**



Ground clearance . . . . . 280 11.0"

**DOZER EQUIPMENT**

Use of high-tensile-strength steel in moldboard extended service. Hydraulic hoses for blade angling and tilting are covered with steel plates and protected from damage.

**Power-angle-tilt dozer**

	Overall Length With dozer	Blade capacity		Blade length x height	Max. lift above ground	Max. drop below ground	Max. tilt adjustment	Additional weight		Additional ground pressure
		SAE	*LH <sup>2</sup>					Blade	Hydraulic control unit	
D21A-8E0	3250 mm	0.57 m <sup>3</sup>	0.76 m <sup>3</sup>	2170 mm x 590 mm	790 mm	385 mm	250 mm	480 kg	70 kg	0.054 kg/cm <sup>2</sup>
	10'8"	0.75 cu.yd	0.99 cu.yd	7'1" x 1'11"	2'7"	1'3"	9.8"	1,060 lb	150 lb	0.77 psi 5.3 kPa
D21P-8E0	3260 mm	0.68 m <sup>3</sup>	0.89 m <sup>3</sup>	2560 mm x 590 mm	850 mm	325 mm	280 mm	510 kg	70 kg	0.03 kg/cm <sup>2</sup>
	10'8"	0.89 cu.yd	1.16 cu.yd	8'5" x 1'11"	2'9"	1'1"	11"	1,120 lb	150 lb	0.43 psi 2.94 kPa

\* (L: Blade length) x (H: Blade height)<sup>2</sup>