

Specifications

OPERATING WEIGHT (APPR.)

	MONO BOOM		WITH BLADE	
	Operating weight	Ground pressure	Operating weight	Ground pressure
Triple grouser shoes				
500 mm	13.700 kg	0,43 kg/cm ²	14.550 kg	0,46 kg/cm ²
600 mm	13.870 kg	0,36 kg/cm ²	14.720 kg	0,38 kg/cm ²
700 mm	14.050 kg	0,32 kg/cm ²	14.900 kg	0,33 kg/cm ²
500 mm road liner	13.820 kg	0,43 kg/cm ²	14.670 kg	0,46 kg/cm ²

Operating weight, including 2,5 m arm, 470 kg bucket, operator, lubricant, coolant, full fuel tank and the standard equipment.

MAX. BUCKET CAPACITY AND WEIGHT

Arm length	MONO BOOM			
	2,5 m		3,0 m	
Material weight up to 1,2 t/m ³	0,72 m ³	539 kg	0,72 m ³	539 kg
Material weight up to 1,5 t/m ³	0,64 m ³	513 kg	0,64 m ³	513 kg
Material weight up to 1,8 t/m ³	0,56 m ³	475 kg	0,49 m ³	445 kg

Max. capacity and weight have been calculated according to ISO 10567:2007.

Please consult with your distributor for the correct selection of buckets and attachments to suit the application.

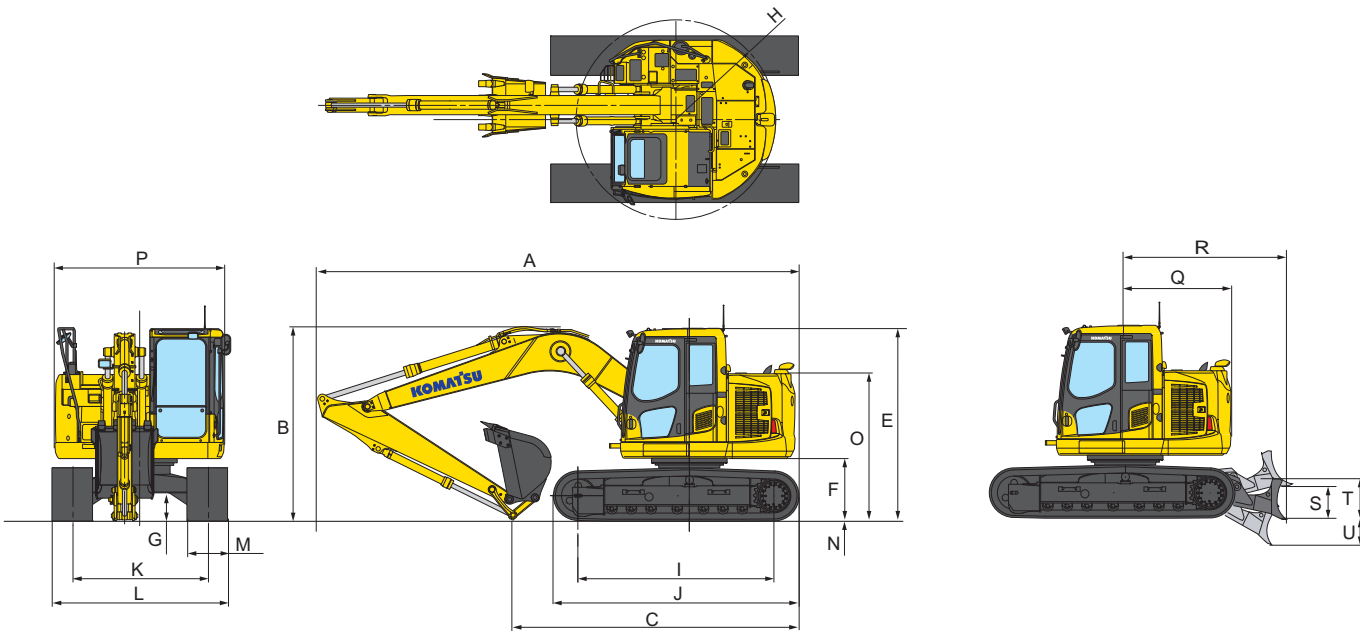
BUCKET AND ARM COMBINATION

Capacity SAE	No. of teeth	Width	Weight	Arm length	
				2,5 m	3,0 m
0,26 m ³	3	500 mm	339 kg	○	○
0,33 m ³	3	600 mm	366 kg	○	○
0,41 m ³	4	700 mm	409 kg	○	○
0,49 m ³	4	800 mm	445 kg	○	○
0,64 m ³	5	1.000 mm	513 kg	□	□
0,72 m ³	5	1.100 mm	539 kg	△	△
0,79 m ³	5	1.200 mm	566 kg	△	-
0,60 m ³	Ditch cleaning bucket	2.000 mm	395 kg	○	○
0,66 m ³	Ditch cleaning bucket	2.200 mm	426 kg	○	○

Material weight up to 1,8 t/m³ ○
 Material weight up to 1,5 t/m³ □
 Material weight up to 1,2 t/m³ △
 Not usable -



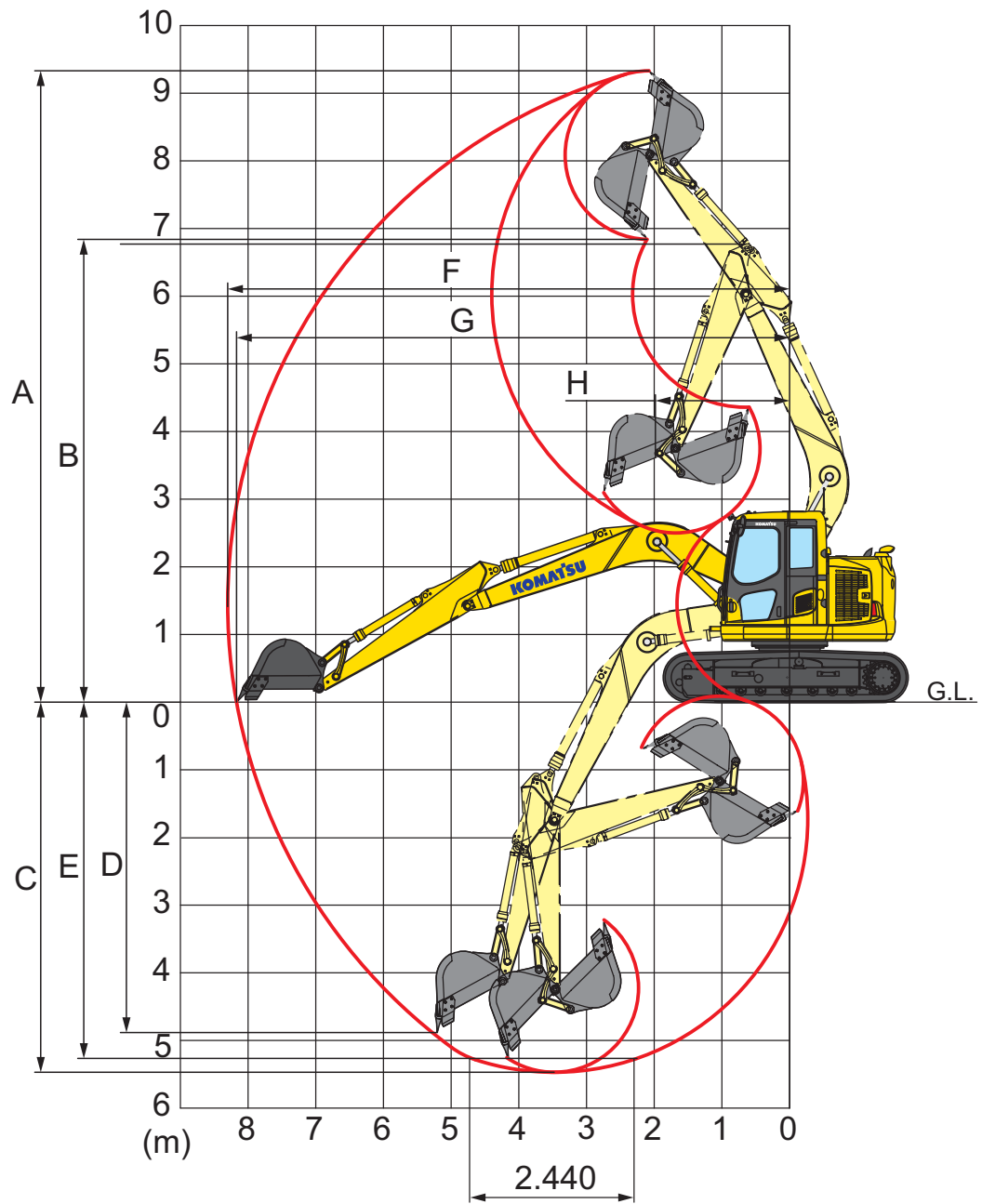
MACHINE DIMENSIONS	MONO BOOM
E Overall height of cab	2.815 mm
F Clearance under counterweight	900 mm
G Ground clearance	395 mm
H Tail swing radius	1.480 mm
I Tumbler centre distance	2.880 mm
J Track length	3.610 mm
K Track gauge	1.990 mm
L Overall track width with 500 mm shoes	2.490 mm
Overall track width with 600 mm shoes	2.590 mm
Overall track width with 700 mm shoes	2.690 mm
M Shoe width	500, 600, 700 mm
N Grouser height	20 mm
O Machine tail height	2.140 mm
P Overall width of upper structure	2.490 mm
Q Distance, swing center to rear end	1.480 mm
R Distance, swing center to blade	2.500 mm
S Blade, max. lifting height	470 mm
T Height of blade	590 mm
U Blade, max. digging depth	525 mm
Blade width (with 500 mm shoes)	2.490 mm
Blade width (with 600 mm shoes)	2.590 mm



MONO BOOM		
Arm length	2.500 mm	3.000 mm
A Transport length	7.275 mm	7.160 mm
B Overall height (to top of boom)	2.950 mm	3.210 mm
C Length on ground (transport)	4.400 mm	4.290 mm

Working Range

MONO BOOM



ARM LENGTH	2.500 mm	3.000 mm
A Max. digging height	9.340 mm	9.700 mm
B Max. dumping height	6.840 mm	7.350 mm
C Max. digging depth	5.480 mm	5.900 mm
D Max. vertical wall digging depth	4.900 mm	5.340 mm
E Max. digging depth of cut for 2,44 m level	5.265 mm	5.715 mm
F Max. digging reach	8.300 mm	8.720 mm
G Max. digging reach at ground level	8.180 mm	8.600 mm
H Min. swing radius	1.980 mm	2.265 mm
Bucket digging force (ISO)	9.500 kgf	9.000 kgf
Arm crowd force (ISO)	6.300 kgf	5.700 kgf