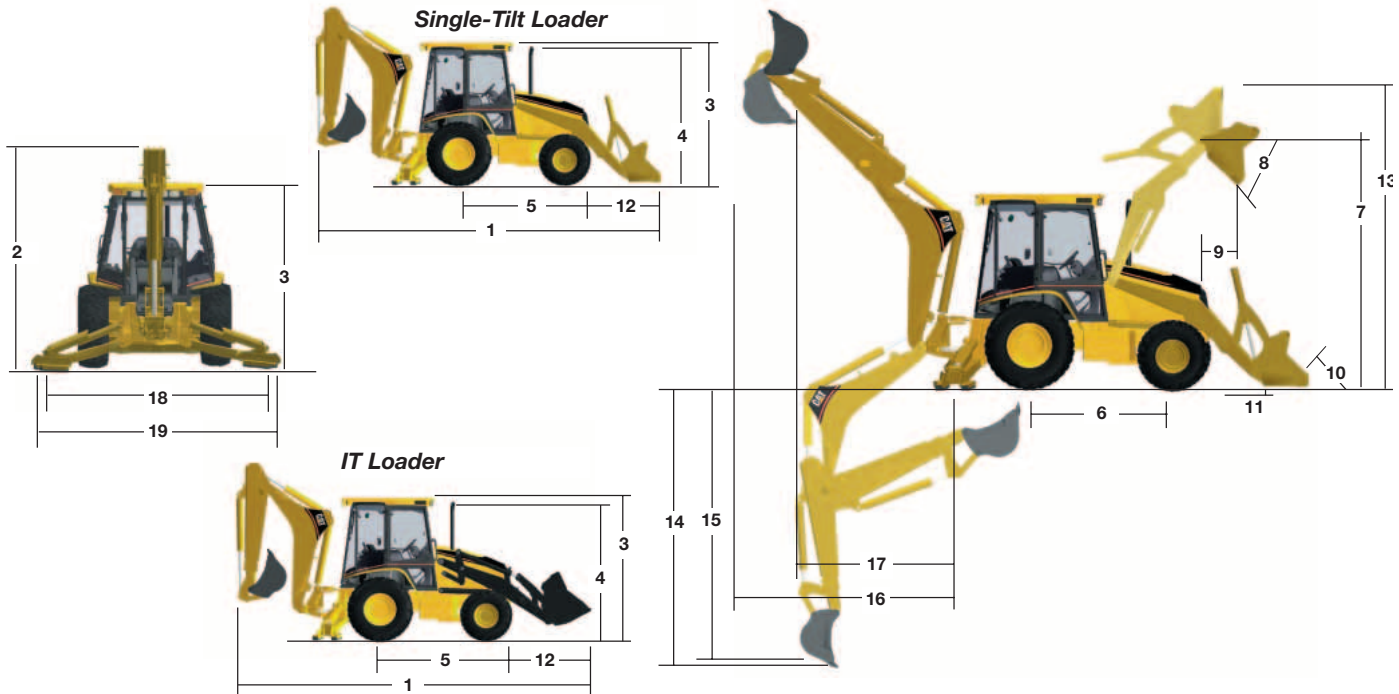


420D/420D IT Backhoe Loader

IT Loader with Quick Coupler

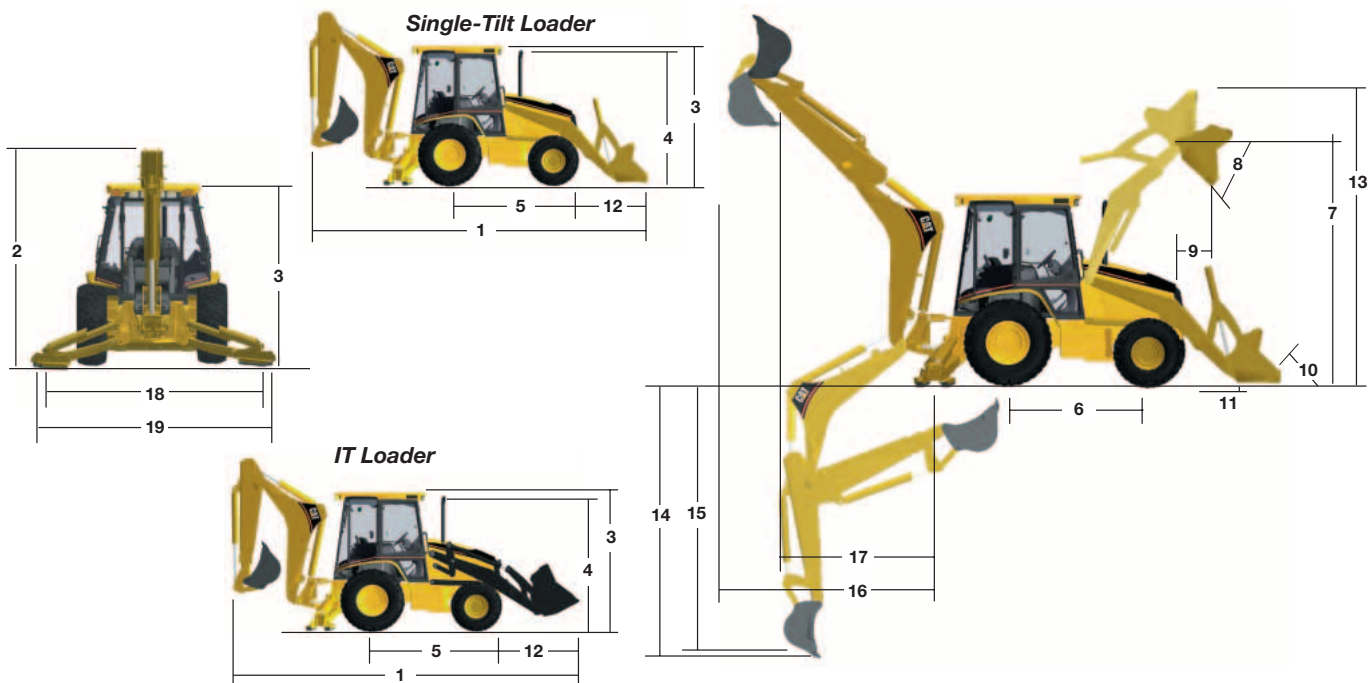
| | General Purpose (0.96 m ³ /1.25 yd ³) | General Purpose (1.00 m ³ /1.31 yd ³) | Multi Purpose (0.96 m ³ /1.25 yd ³) | Multi Purpose (1.03 m ³ /1.35 yd ³) |
|--|---|---|---|---|
| (1) Overall transport length | 7064 mm/23 ft 2 in | 7034 mm/23 ft 1 in | 7014 mm/23 ft 0 in | 7014 mm/23 ft 0 in |
| Overall length (loader on ground) | 7044 mm/23 ft 1 in | 6998 mm/23 ft 0 in | 6994 mm/22 ft 11 in | 6994 mm/22 ft 11 in |
| (2) Overall transport height (standard stick) | 3585 mm/11 ft 9 in | 3585 mm/11 ft 9 in | 3585 mm/11 ft 9 in | 3585 mm/11 ft 9 in |
| Overall transport height (extendible stick) | 3590 mm/11 ft 9 in | 3590 mm/11 ft 9 in | 3590 mm/11 ft 9 in | 3590 mm/11 ft 9 in |
| Overall width | 2352 mm/7 ft 9 in | 2352 mm/7 ft 9 in | 2352 mm/7 ft 9 in | 2352 mm/7 ft 9 in |
| (3) Height to top of cab/canopy | 2770 mm/9 ft 1 in | 2770 mm/9 ft 1 in | 2770 mm/9 ft 1 in | 2770 mm/9 ft 1 in |
| (4) Height to top of exhaust stack | 2670 mm/8 ft 9 in | 2670 mm/8 ft 9 in | 2670 mm/8 ft 9 in | 2670 mm/8 ft 9 in |
| Height to loader hinge pin (transport) | 510 mm/1 ft 8 in | 510 mm/1 ft 8 in | 510 mm/1 ft 8 in | 510 mm/1 ft 8 in |
| Ground clearance (minimum) | 297 mm/1 ft 0 in | 297 mm/1 ft 0 in | 297 mm/1 ft 0 in | 297 mm/1 ft 0 in |
| (5) Rear axle centerline to front grill | 2660 mm/8 ft 9 in | 2660 mm/8 ft 9 in | 2660 mm/8 ft 9 in | 2660 mm/8 ft 9 in |
| Front wheel tread gauge | 1871 mm/6 ft 2 in | 1871 mm/6 ft 2 in | 1871 mm/6 ft 2 in | 1871 mm/6 ft 2 in |
| Rear wheel tread gauge | 1714 mm/5 ft 8 in | 1714 mm/5 ft 8 in | 1714 mm/5 ft 8 in | 1714 mm/5 ft 8 in |
| (6) Wheelbase 2WD/AWD | 2100 mm/6 ft 11 in | 2100 mm/6 ft 11 in | 2100 mm/6 ft 11 in | 2100 mm/6 ft 11 in |



420D/420D IT Backhoe Loader

IT Loader with Quick Coupler

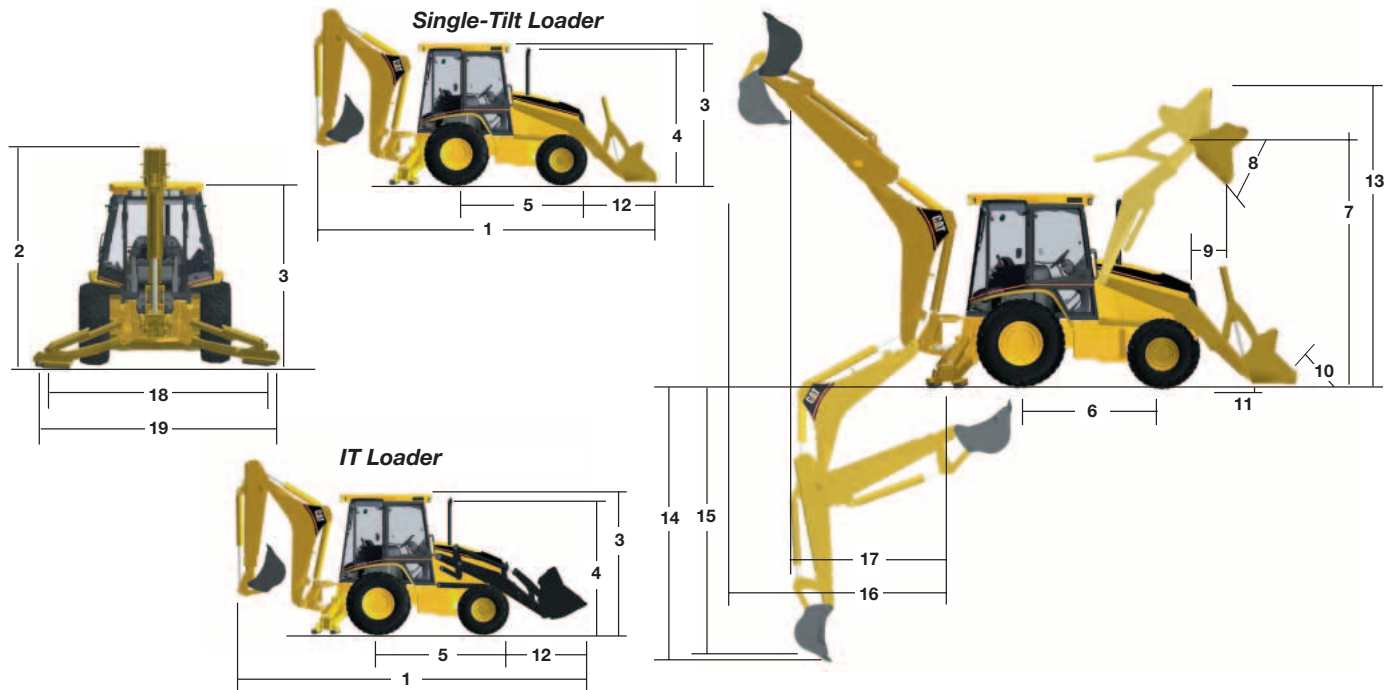
| | General Purpose (0.96 m ³ /1.25 yd ³) | General Purpose (1.00 m ³ /1.31 yd ³) | Multi Purpose (0.96 m ³ /1.25 yd ³) | Multi Purpose (1.03 m ³ /1.35 yd ³) |
|--|---|---|---|---|
| Capacity (SAE) rated | 0.96 m ³ /1.25 yd ³ | 1.00 m ³ /1.31 yd ³ | 0.96 m ³ /1.25 yd ³ | 1.03 m ³ /1.35 yd ³ |
| Width | 2262 mm/7 ft 5 in | 2406 mm/7 ft 11 in | 2262 mm/7 ft 5 in | 2406 mm/7 ft 11 in |
| Lift capacity at maximum height | 3162 kg/6,970 lb | 3152 kg/6,949 lb | 2958 kg/6,521 lb | 2916 kg/6,428 lb |
| Breakout force | 47.0 kN/10,564 lb | 47.3 kN/10,628 lb | 48.5 kN/10,897 lb | 48.3 kN/10,853 lb |
| (7) Maximum hinge pin height | 3266 mm/10 ft 9 in | 3266 mm/10 ft 9 in | 3266 mm/10 ft 9 in | 3266 mm/10 ft 9 in |
| (8) Dump angle at full height | 43° | 43° | 43° | 43° |
| Dump height at maximum angle | 2462 mm/8 ft 1 in | 2494 mm/8 ft 2 in | 2531 mm/8 ft 4 in | 2531 mm/8 ft 4 in |
| (9) Dump reach at maximum angle | 862 mm/2 ft 10 in | 830 mm/2 ft 9 in | 751 mm/2 ft 6 in | 751 mm/2 ft 6 in |
| (10) Maximum bucket rollback at ground level | 40° | 40° | 40° | 40° |
| (11) Digging depth | 135 mm/5 in | 135 mm/5 in | 165 mm/6.5 in | 165 mm/6.5 in |
| Maximum grading angle | 107° | 108° | 111° | 111° |
| Width of dozer cutting edge | N/A | N/A | 2406 mm/7 ft 11 in | 2406 mm/7 ft 11 in |
| (12) Grill to bucket cutting edge, carry position | 1592 mm/5 ft 3 in | 1562 mm/5 ft 2 in | 1543 mm/5 ft 1 in | 1543 mm/5 ft 1 in |
| (13) Maximum operating height | 4204 mm/13 ft 10 in | 4204 mm/13 ft 10 in | 4223 mm/13 ft 10 in | 4223 mm/13 ft 10 in |
| Jaw opening maximum | N/A | N/A | 790 mm/2 ft 7 in | 790 mm/2 ft 7 in |
| Bucket jaw clamping force | N/A | N/A | 55.7 kN/12,524 lb | 55.7 kN/12,524 lb |
| Weight (does not include teeth or forks) | 431 kg/950 lb | 445 kg/980 lb | 662 kg/1,460 lb | 685 kg/1,510 lb |



420D/420D IT Backhoe Loader

Backhoe Dimensions and Performance

| | Standard Stick | Extendible Stick Retracted | Extendible Stick Extended |
|--|---------------------|----------------------------|---------------------------|
| (14) Digging depth, SAE (max) | 4390 mm/14 ft 5 in | 4465 mm/14 ft 8 in | 5510 mm/18 ft 1 in |
| (15) Digging depth, 2 ft flat bottom | 4362 mm/14 ft 4 in | 4432 mm/14 ft 7 in | 5474 mm/18 ft 0 in |
| Reach from rear axle centerline at ground line | 6740 mm/22 ft 1 in | 6795 mm/22 ft 4 in | 7765 mm/25 ft 6 in |
| (16) Reach from swing pivot at ground line | 5650 mm/18 ft 6 in | 5705 mm/18 ft 9 in | 6675 mm/21 ft 11 in |
| Maximum operating height | 5450 mm/17 ft 11 in | 5470 mm/17 ft 11 in | 6140 mm/20 ft 2 in |
| Loading height | 3613 mm/11 ft 10 in | 3630 mm/11 ft 11 in | 4175 mm/13 ft 8 in |
| (17) Loading reach | 1732 mm/5 ft 8 in | 1819 mm/6 ft 0 in | 2736 mm/9 ft 0 in |
| Swing arc | 180° | 180° | 180° |
| Bucket rotation | 205° | 205° | 205° |
| (18) Stabilizer spread, operating position (center of pad) | 3219 mm/10 ft 7 in | 3219 mm/10 ft 7 in | 3219 mm/10 ft 7 in |
| (19) Stabilizer spread, operating position (outside edge of pad) | 3689 mm/12 ft 1 in | 3689 mm/12 ft 1 in | 3689 mm/12 ft 1 in |
| Stabilizer spread, transport position | 2352 mm/7 ft 9 in | 2352 mm/7 ft 9 in | 2352 mm/7 ft 9 in |
| Bucket dig force | 65.4 kN/14,712 lb | 64.8 kN/14,586 lb | 64.8 kN/14,586 lb |
| Stick dig force | 38.2 kN/8,593 lb | 37.5 kN/8,421 lb | 27.5 kN/6,188 lb |



420D/420D IT Backhoe Loader

Dimensions with Forks/Material-Handling Arm

Cat 420D IT Operating Specifications with Forks

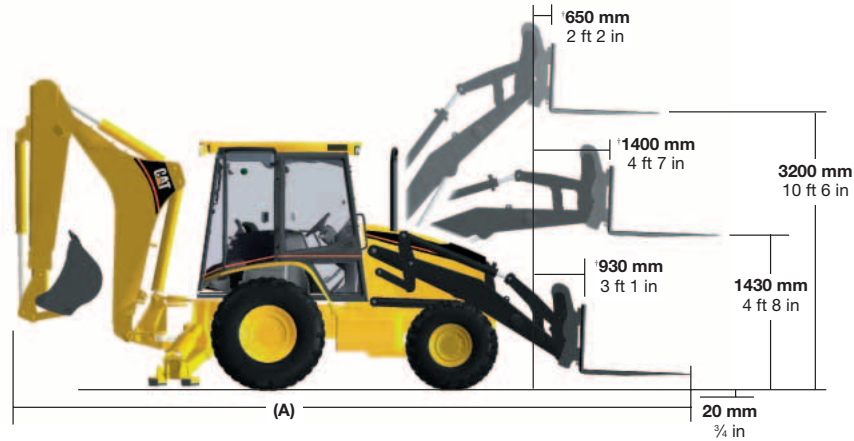
| Fork Tine Length: | 1050 mm/3 ft 5 in | 1200 mm/3 ft 11 in | 1350 mm/4 ft 5 in |
|----------------------------|--------------------|--------------------|--------------------|
| Operating load (SAE J1197) | 1885 kg/4,155 lb* | 1808 kg/3,985 lb* | 1737 kg/3,829 lb* |
| Operating load (CEN474-4) | 2290 kg/5,049 lb* | 2279 kg/5,025 lb* | 2270 kg/5,003 lb* |
| Overall length (A) | 7464 mm/24 ft 6 in | 7614 mm/25 ft 0 in | 7764 mm/25 ft 6 in |
| Load center | 525 mm/1 ft 9 in | 600 mm/2 ft 0 in | 675 mm/2 ft 3 in |

*Tip limited.

Specifications include lubricants, full fuel tank, ROPS cab, 80 kg (176 lb) operator, 355 kg (780 lb) counterweight, standard tires, standard stick, 24-inch standard-duty bucket, 2WD.

Machine stability is affected by machine options and backhoe attachments.

All dimensions are approximate.



†Measured from nose of machine.

Cat 420D IT Operating Specifications with Material-Handling Arm

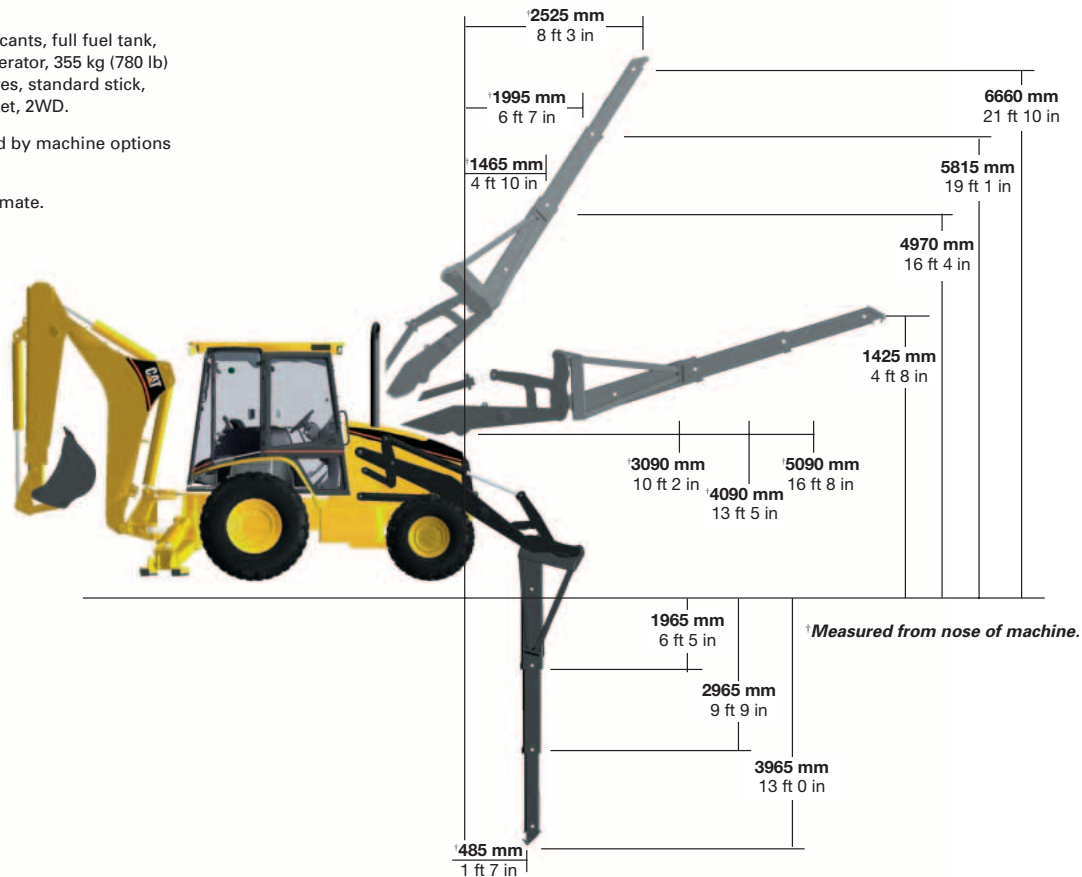
| Material-Handling Arm Position: | Retracted | Mid-Position | Extended |
|---------------------------------------|--------------------|--------------------|---------------------|
| Operating load (SAE J1197 & CEN474-4) | 967 kg/2,131 lb** | 612 kg/1,349 lb** | 448 kg/988 lb** |
| Overall length, maximum | 8574 mm/28 ft 2 in | 9574 mm/31 ft 5 in | 10574 mm/34 ft 8 in |

Specifications include lubricants, full fuel tank, ROPS cab, 80 kg (176 lb) operator, 355 kg (780 lb) counterweight, standard tires, standard stick, 24-inch standard-duty bucket, 2WD.

Machine stability is affected by machine options and backhoe attachments.

All dimensions are approximate.

**Hydraulic limited.



†Measured from nose of machine.

420D/420D IT Backhoe Loader

Standard Duty Buckets

With weld-on adapters and pin-on teeth.

| Width (mm/in) | Capacities SAE (liters/ft ³) | Weight (kg/lb) | No. of Teeth |
|------------------|---|-------------------|-----------------|
| 305/12 | 78/2.8 | 97/213 | 3 |
| 457/18 | 118/4.2 | 115/253 | 4 |
| 610/24 | 175/6.2 | 132/290 | 5 |
| 762/30 | 233/8.2 | 147/323 | 5 |
| 914/36 | 292/10.3 | 165/363 | 6 |

Heavy Duty Buckets

With weld-on adapters and pin-on teeth.

| Width (mm/in) | Capacities SAE (liters/ft ³) | Weight (kg/lb) | No. of Teeth |
|------------------|---|-------------------|-----------------|
| 305/12 | 78/2.8 | 105/231 | 3 |
| 406/16 | 105/3.7 | 127/279 | 3 |
| 457/18 | 118/4.2 | 129/284 | 4 |
| 610/24 | 175/6.2 | 151/332 | 5 |
| 762/30 | 233/8.2 | 167/367 | 5 |
| 914/36 | 292/10.3 | 189/416 | 6 |

High Capacity Buckets

With weld-on adapters and pin-on teeth.

| Width (mm/in) | Capacities SAE (liters/ft ³) | Weight (kg/lb) | No. of Teeth |
|------------------|---|-------------------|-----------------|
| 457/18 | 180/6.4 | 146/321 | 4 |
| 610/24 | 240/8.5 | 171/376 | 5 |
| 762/30 | 320/11.3 | 195/429 | 5 |
| 914/36 | 380/13.4 | 214/471 | 6 |

Heavy Duty Rock Buckets

With weld-on adapters and pin-on teeth.

| Width (mm/in) | Capacities SAE (liters/ft ³) | Weight (kg/lb) | No. of Teeth |
|------------------|---|-------------------|-----------------|
| 305/12 | 70/2.5 | 120/265 | 3 |
| 457/18 | 127/4.5 | 150/331 | 4 |
| 610/24 | 198/7.0 | 175/386 | 5 |
| 762/30 | 255/9.5 | 195/430 | 5 |
| 914/36 | 311/11.5 | 210/463 | 6 |

Counterweights

Minimum Counterweight Recommendations — Standard Stick

| Loader Bucket | Power Train | Single-Tilt | | IT Loader w/QC | |
|-------------------------|-------------|-------------|--------|----------------|--------|
| | | kg | lb | kg | lb |
| GP | 2WD | 355 | 780 | bumper | bumper |
| GP | AWD | 250 | 550 | bumper | bumper |
| MP | 2WD/AWD | bumper | bumper | bumper | bumper |
| MP with fold-over forks | 2WD/AWD | bumper | bumper | N/A | N/A |
| Forks | 2WD/AWD | N/A | N/A | bumper | bumper |
| Material handling arm | 2WD/AWD | N/A | N/A | 145 | 320 |

Minimum Counterweight Recommendations — Extendible Stick

| Loader Bucket | Power Train | Single-Tilt | | IT Loader w/QC | |
|-------------------------|-------------|-------------|--------|----------------|--------|
| | | kg | lb | kg | lb |
| GP | 2WD | 570 | 1,250 | 354 | 780 |
| GP | AWD | 570 | 1,250 | 250 | 550 |
| MP | 2WD | 250 | 550 | bumper | bumper |
| MP | AWD | 145 | 320 | bumper | bumper |
| MP with fold-over forks | 2WD | bumper | bumper | N/A | N/A |
| MP with fold-over forks | AWD | bumper | bumper | N/A | N/A |
| Forks | 2WD | N/A | N/A | 250 | 550 |
| Forks | AWD | N/A | N/A | 145 | 320 |
| Material handling arm | 2WD | N/A | N/A | 570 | 1,250 |
| Material handling arm | AWD | N/A | N/A | 460 | 1,010 |