


# Dynapac CA2500D (4.5)

Single drum vibratory rollers


Atlas Copco




## Technical data


 Masses	
Operating mass (incl. ROPS)	22,300 lbs
Operating mass (incl. Cab)	22,700 lbs
Module mass (front/rear)	12,300/10,400 lbs
Max. operating mass	26,200 lbs


 Dimensions	
Drum width	84 in

 Propulsion	
Speed range	0 -7 mp/h
Vertical oscillation	±9°
Tire size (8 ply)	23,1 x 26 AW
Theor. gradeability	51 %

 Compaction	
Static linear load	146 lbs/in
Nominal amplitude (high/low)	0.071/0.035 in
Vibration frequency (high/low amplitude)	1,980/2,040 vpm
Centrifugal force (high/low amplitude)	56,210/29,230 lb

 Engine	
Fuel tank capacity	72 gal

 Engine	
Manufacturer/Model	Cummins QSB4.5 (T4i)
Rated power, ISO 14396	97 kW (132 hp ) @ 2,200 rpm
Type	Water cooled turbo Diesel

 Hydraulic system	
Driving	Hydrostatic
Vibration	Hydrostatic
Steering	Hydrostatic
Service brake	Hydrostatic in forward and reverse lever.
Parking/Emergency brake	Failsafe multidisc brake in drum gear box and in rear axle.

Find us locally at [www.atlascopco.com](http://www.atlascopco.com)

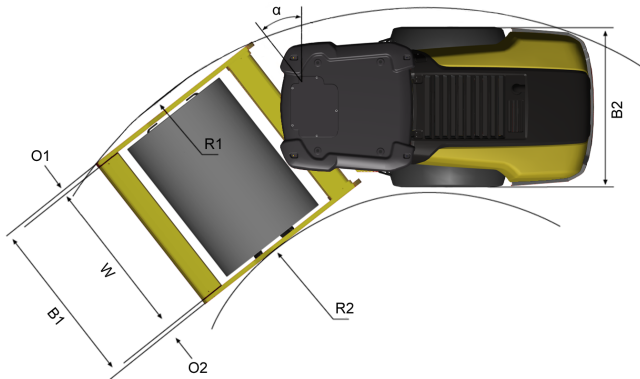
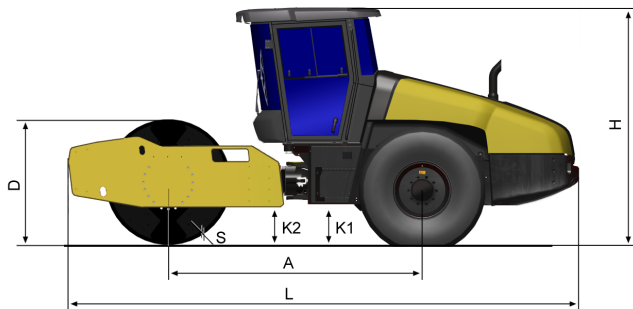
We reserve the right to change specifications without notice. Photos and illustrations do not always show standard versions of machines. The above information is a general description only, all informations are supplied without liability.

# Dynapac CA2500D (4.5)

## Single drum vibratory rollers

Atlas Copco

### Technical data



Dimensions	
A. Wheelbase	118 in
B1. Width, front	91 in
B2. Width, rear	84 in
D. Drum diameter	59 in
H. Height, with ROPS/cab	113 in
K1. Ground clearance	18 in
K2. Curb clearance	18 in
L. Length	236 in
O1. Overhang, right	3 in
O2. Overhang, left	3 in
R1. Turning radius, outside	220 in
R2. Turning radius, inside	130 in
S. Drum shell thickness	1 in
W. Drum width	84 in
α. Steering angle	±38°



### Standard equipment

- 24V outlet socket, operator's platform
- Automatic vibration control
- Back up alarm
- Brake release
- Cross Mounted Engine
- Combi cooler with Hydraulically driven fan
- Display: Engine temp, Fuel level, Hydr. temp, Speedometer, Tachometer, Voltage
- Dual speed drum drive motor
- Emergency stop
- Filler cap inside lockable hood
- Hydraulic checkpoints
- Parking brake
- Shock mounted platform
- Steering wheel, adjustable
- Suspension seat
- Storage Compartment
- Vandal cover
- Warning lights: Air cleaner, Brake, Clogged hyd. fluid filter, Engine oil pressure/temp, Hyd oil temp, Low charge, Low fuel
- 1m X 1m Visibility
- Zero spill oil & coolant change

Find us locally at [www.atlascopco.com](http://www.atlascopco.com)

We reserve the right to change specifications without notice. Photos and illustrations do not always show standard versions of machines. The above information is a general description only, all informations are supplied without liability.