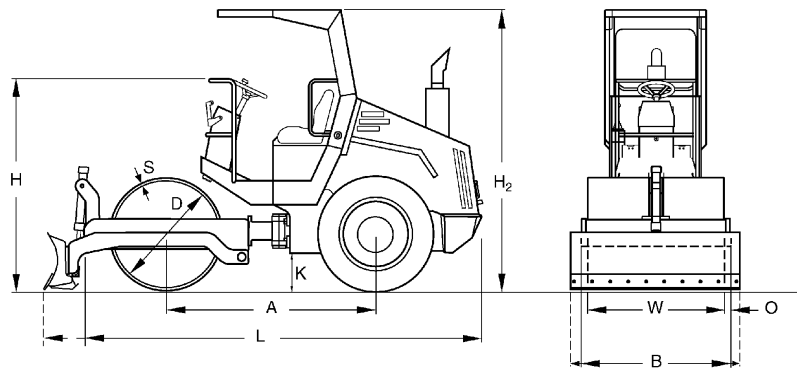


TECHNICAL DATA

SINGLE DRUM ROLLERS

BW 124 DH, BW 124 PDH, BW 124 PDH (B)





Dimensions in in

	A	B	D	H	H₂	K	L	O	S	W
BW 124 DH	71.1	51.6	37.8	72.8	98.1	12.6	131.9	2.2	0.5	47.2
BW 124 PDH	71.1	51.6	35.0	72.8	98.1	12.6	131.9	2.2	0.5	47.2
BW 124 PDH (B)	71.1	51.6	35.0	72.8	98.1	12.6	153.5	2.2	0.5	47.2

Shipping dimensions in cub.yd

BW 124 DH
BW 124 PDH
BW 124 PDH (B)

without ROPS

10.618
 10.618
 14.273

with ROPS

14.308
 14.308
 19.233

Machine type	Compaction output (cub.yd/h)			
	Rock fill	Gravel, sand	Mixed soil	Silt, clay
BW 124 DH	-	137.3-274.7	98.1-196.2	52.3-117.7
BW 124 PDH	-	137.3-274.7	98.1-196.2	65.4-130.8

Machine type	Compacted layer thickness (in)			
	Rock fill	Gravel, sand	Mixed soil	Silt, clay
BW 124 DH	--	13.8	9.8	5.9
BW 124 PDH	--	13.8	9.8	7.9

Technical Data**BOMAG
BW 124 DH****BOMAG
BW 124 PDH****BOMAG
BW 124 PDH (B)****Weights**

Grossweight	lb	8,488	8,598	8,598
Operating weight CECE	lb	7,275	7,386	8,554
Axle load, drum / wheels CECE	lb	3,527/3,748	3,638/3,748	4,299/3,814
Static linear load CECE	lb/in	74.7		

Dimensions

Working width	in	47.2	47.2	47.2
Track radius, inner	in	88.2	88.2	88.2

Driving Characteristics

Speed	mph	0- 5.6	0- 5.6	0- 5.6
Max. gradeability without/with vibr. ...	%	55/55	55/55	55/55

Drive

Engine manufacturer		Deutz	Deutz	Deutz
Type		D 2011 L3i	D 2011 L3i	D 2011 L3i
Emission stage		3a/4i	3a/4i	3a/4i
Cooling		Air - oil	Air - oil	Air - oil
Number of cylinders		3	3	3
Performance ISO 3046	hp	44.3	44.3	44.3
Performance SAE J 1995	hp	45.0	45.0	45.0
Speed	min-1	2,500	2,500	2,500
Fuel		diesel	diesel	diesel
Electric equipment	V	12	12	12
Drive system		hydrost.	hydrost.	hydrost.
Drum driven		standard	standard	standard

Drums and Tyres

Tyre size		9.5-24 4PR	9.5-24	9.5-24
Number of pad feet			70	70
Area of one pad foot	sq.in		12.6	12.6
Height of pad feet	in		2.2	2.2

Dozer Blade

Width / height	in			59.6/19.7
Height adjustment over ground level .	in			15.9
Height adjustment below ground level	in			7.1
Swivelling angle for tilt +/-	deg			22

Brakes

Service brake		hydrost.	hydrost.	hydrost.
Parking brake		hydromec.	hydromec.	hydromec.

Steering

Steering system		oscil.artic.	oscil.artic.	oscil.artic.
Steering method		hydrost.	hydrost.	hydrost.
Steering / oscillating angle +/-	deg	35/12.0	35/12.0	35/12.0

Exciter system

Drive system		hydrost.	hydrost.	hydrost.
Frequency	vpm	2,460/2,460	2,460/2,460	2,460/2,460
Amplitude	in	0.067/0.033	0.063/0.032	0.063/0.032
Centrifugal force	lb	19,109/9,667	19,109/9,667	19,109/9,667

Capacities

Fuel	gal	15.9	15.9	15.9
------------	-----	------	------	------

Technical modifications reserved. Machines may be shown with options.

Standard Equipment

- Hydrostatic travel and vibration drive
- Double pump system for travel drive
- Rear axle with twin spring accumulator brakes
- Differential lock
- Hydrostatic articulated steering
- Contact scrapers
- Operating/Control Equipment
 - Hour meter
 - Charge control
 - Parking brake
 - Engine oil pressure
 - Engine temperature
 - air cleaner pollution
 - Fuel level indicator
- Warning horn
- Transport lashing and lifting points front/rear
- Lockable anti vandal dashboard protection
- Back-up alarm
- Emergency stop button
- ROPS/FOPS with safety belt
- Working lights
- Seat contact switch

Optional Equipment

- Dozer blade BW124PDH(B)
- Special painting
- Rotary beacon

